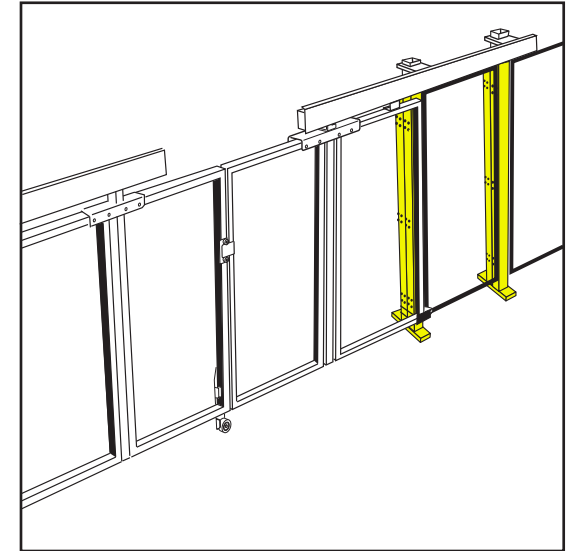
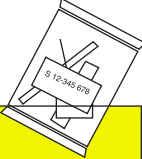
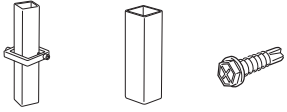
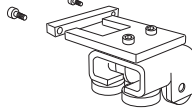
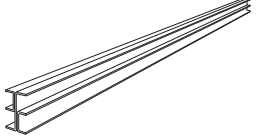



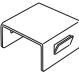
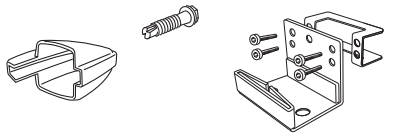

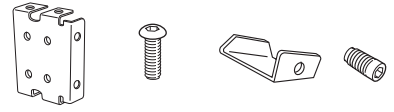
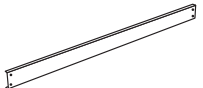
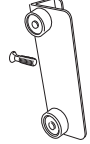

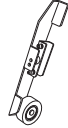


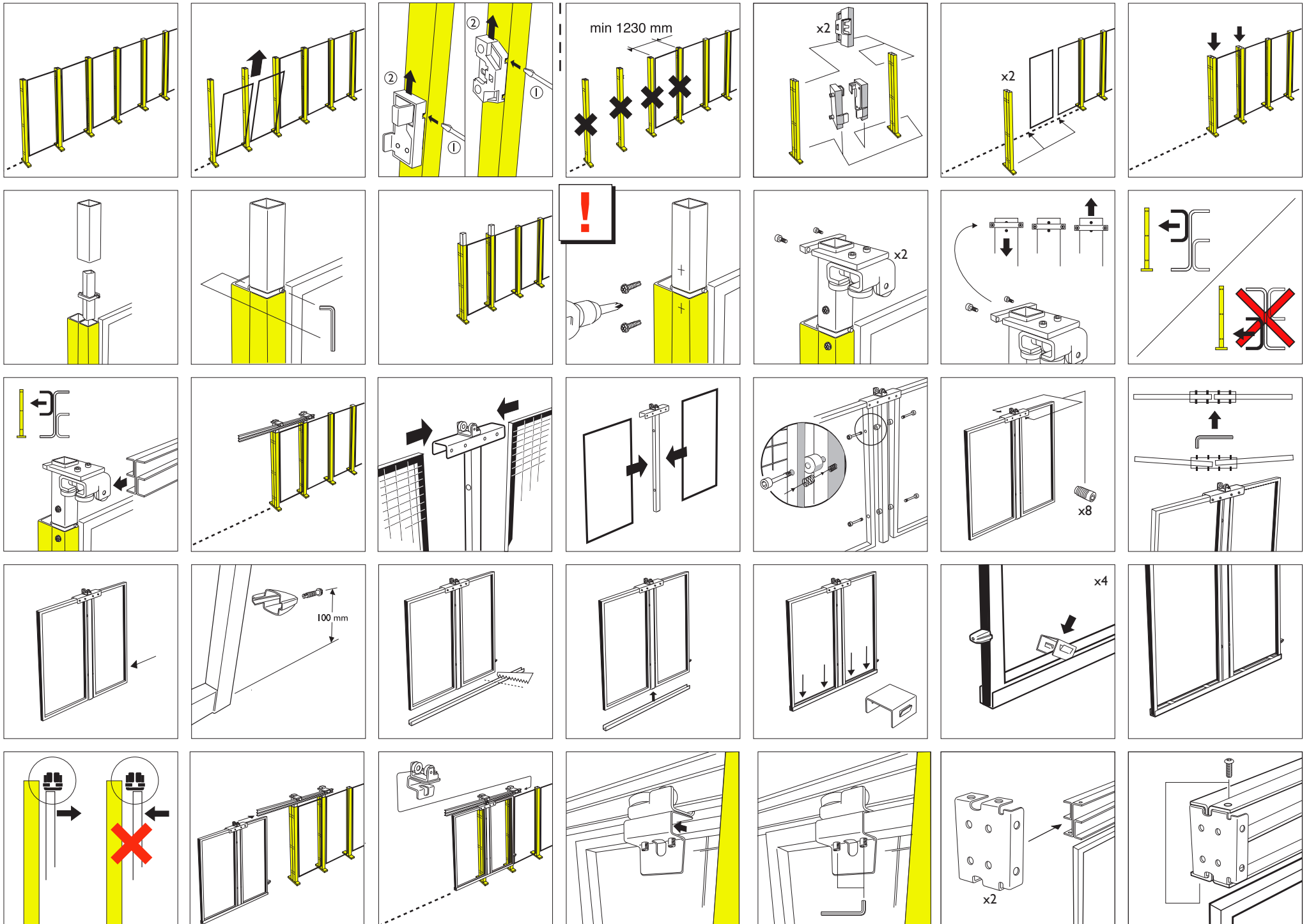
# AXELENT X-GUARD D27-XXX600



20110418

 <b>B26-5A</b> x 2	 x 2 A   x 2 B   x 4 C	<b>B26-5B</b> x 2	 x 2 A		
<b>D3T1-300</b> x 2	 x 1 A	<b>D3T2-220</b> x 2	 x 1 A		
<b>B26-5C</b> x 2	 x 4 A   x 4 B   x 8 C	<b>D3U2-310</b> x 2	 x 1 A	<b>G2741</b> x 8	 x 1 A
<b>B20-2B</b> x 2	 x 1 A   x 1 B   x 1 C	<b>B26-5D</b> x 2	 x 1 A	<b>B26-5E</b> x 2	 x 2 A   x 8 B   x 1 C   x 1 D
<b>D3T0-300</b> x 2	 x 1 A	<b>B26-5G</b> x 1	 x 2 A	 x 2 B	 x 1 C

AXELENT X-GUARD D27-XXX600



# AXELENT X-GUARD D27-XXX600

