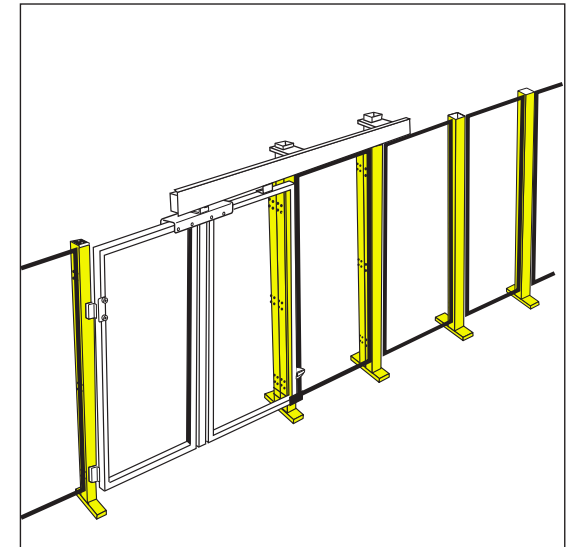
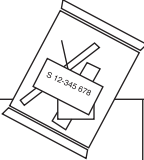
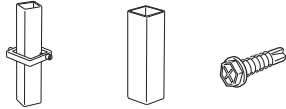
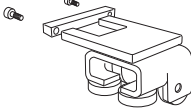
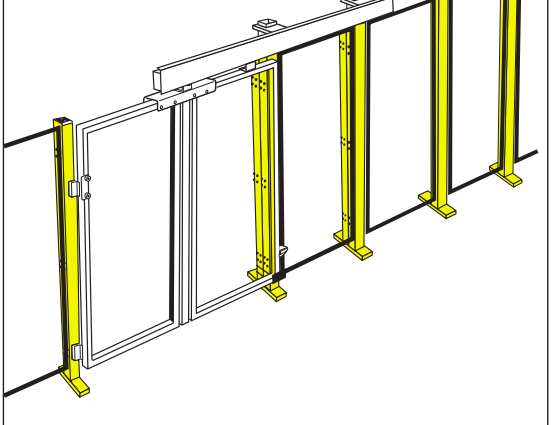
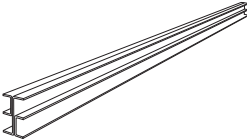



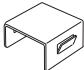
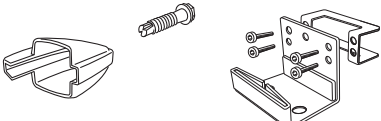

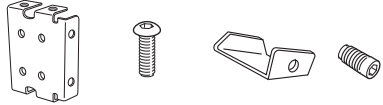
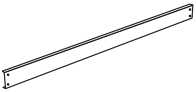
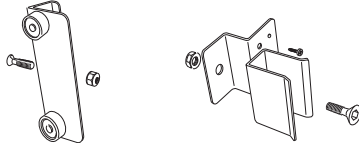
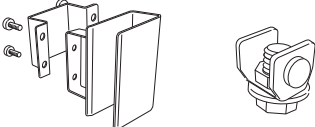


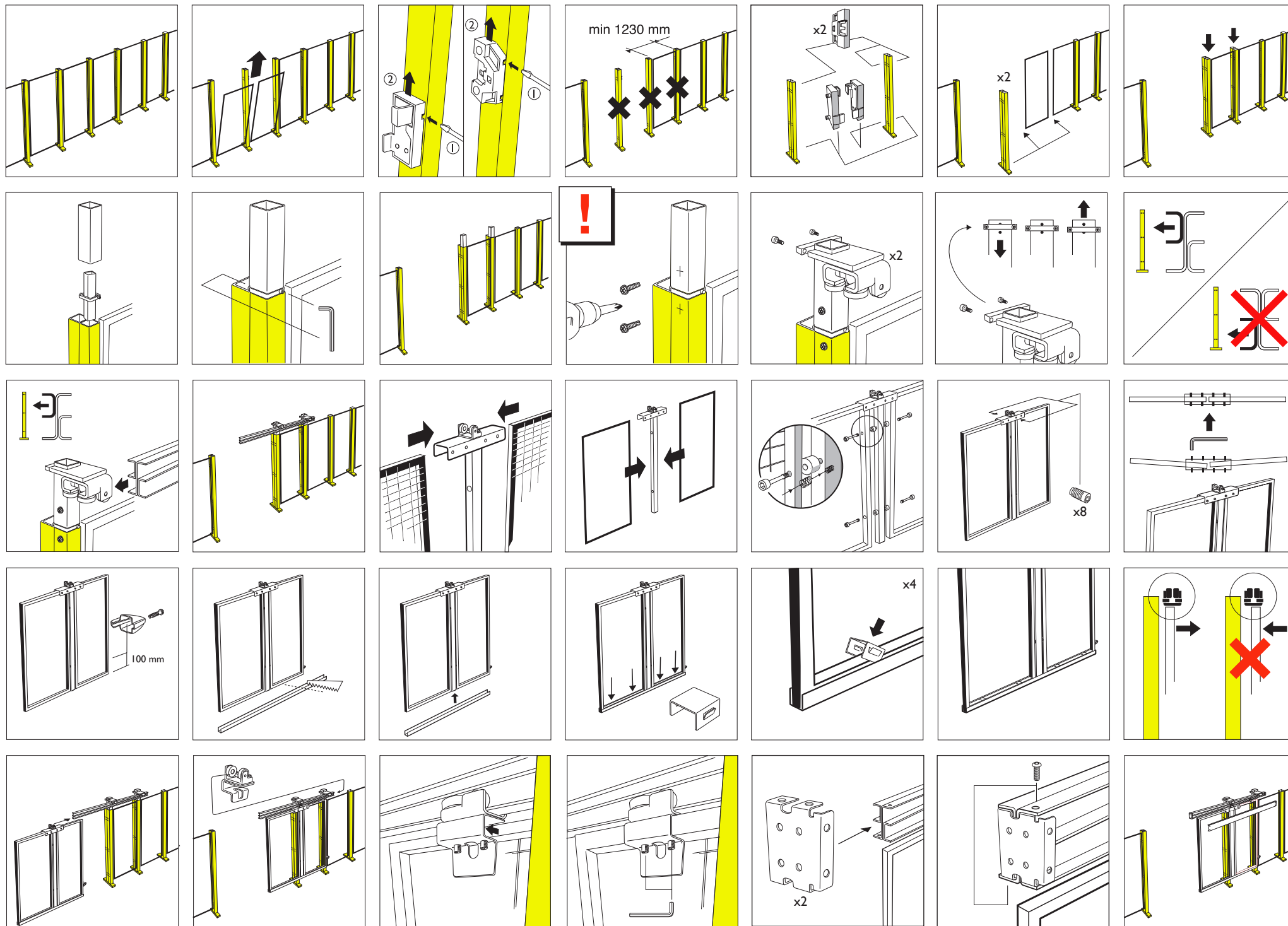
# AXELENT X-GUARD D26-XXX300



20101116

 <b>B26-5A</b> x 1	 x 2 <b>A</b> x 2 <b>B</b> x 4 <b>C</b>	<b>B26-5B</b> x 1	 x 2 <b>A</b>				
<b>D3T1-300</b> x 1	 x 1 <b>A</b>	<b>D3T2-220</b> x 1	 x 1 <b>A</b>				
<b>B26-5C</b> x 1	 x 4 <b>A</b> x 4 <b>B</b> x 8 <b>C</b>	<b>D3U2-310</b> x 1	 x 1 <b>A</b>			<b>G2741</b>	 x 4 <b>A</b>
<b>B20-2B</b> x 1	 x 1 <b>A</b> x 1 <b>B</b> x 1 <b>C</b>	<b>B26-5D</b> x 1	 x 1 <b>A</b>			<b>B26-5E</b> x 1	 x 2 <b>A</b> x 8 <b>B</b> x 1 <b>C</b> x 1 <b>D</b>
<b>D3T0-300</b> x 1	 x 1 <b>A</b>	<b>B26-5F</b> x 1	 x 1 <b>A</b> x 1 <b>B</b>			<b>B20-2C</b> x 1	 x 1 <b>A</b> x 2 <b>B</b>

AXELENT X-GUARD D 26-XXX300



# AXELENT X-GUARD D 26-XXX300

